


THIS DRAWING IS UNPUBLISHED. RELEASED FOR PUBLICATION 2011
 © COPYRIGHT 2011 BY - ALL RIGHTS RESERVED.

LOC		DIST		REVISIONS			
P	LTR	DESCRIPTION		DATE	DWN	APVD	
2		UPDATED		02MAY2011	AB	GT	
3		UPDATED		22JUL2013	MZ	JC	
A		PARTS RELEASED FOR PRODUCTION		14NOV2013	MZ	JC	
B		ECR-15-011011		27JUL2015	RS	PO	



- NOTES:
- 1 MATERIAL: PA GF (NATURAL AND BLACK COLOUR)
 - 2 ALL POLARIZATION KEYS SHOWN FOR REF ONLY
 - 3 WAYS I.D.
 - 4 CURRENT RATING
 - 5 VOLTAGE RATING
 - 6 TE LOGO
 - 7 TE PART NUMBER
 - 8 DATA CODE AND CAVITY I.D.
 - 9 AREA FOR AGENCIES APPROVAL LOGO
 - 10) SEE C-DRAWING 293682 (LOCKING CAP) TO GET IP 40
 - 11 IP CODE
 - 12 SLOTS TO ALLOW DELATCHING TOOL OPERATION. FOR DELATCHING TOOL AND OPERATION REFER TO APPLICATION SPECIFICATION



THIS DRAWING IS A CONTROLLED DOCUMENT.		DWN A. BERNARDI 31MAR2011	 TE Connectivity	
DIMENSIONS: mm		CHK M. ZUCCA 31MAR2011		
TOLERANCES UNLESS OTHERWISE SPECIFIED:		APVD G. TURCO 31MAR2011	NAME SKT HOUSING 7 POLES PANEL MOUNT NECTOR M-LINE UNSEALED VERSION	
0 PLC ±- 1 PLC ±0.3 2 PLC ±0.20 3 PLC ±- 4 PLC ±- ANGLES ±3° FINISH		PRODUCT SPEC -	SIZE A2	CAGE CODE 0779
MATERIAL		APPLICATION SPEC -	DRAWING NO C-293773	RESTRICTED TO -
NOTE 1		WEIGHT -	SCALE 3:1 SHEET 1 OF 3 REV B	
		Customer Drawing		

THIS DRAWING IS UNPUBLISHED. RELEASED FOR PUBLICATION 2011
 © COPYRIGHT 2011 BY - ALL RIGHTS RESERVED.

LOC		DIST		REVISIONS			
P	LTR	DESCRIPTION	DATE	DWN	APVD		
-	-	SEE SHEET 1	-	-	-		

POLARIZATION TYPES

POLARIZATION TYPE "A"	POLARIZATION TYPE "B"	POLARIZATION TYPE "C"
PNs 0-293773-1 AND 1-293773-1	PNs 0-293773-2 AND 1-293773-2	PNs 0-293773-3 AND 1-293773-3
POLARIZATION TYPE "D"	POLARIZATION TYPE "E"	
PNs 0-293773-4 AND 1-293773-4	PNs 0-293773-5 AND 1-293773-5	

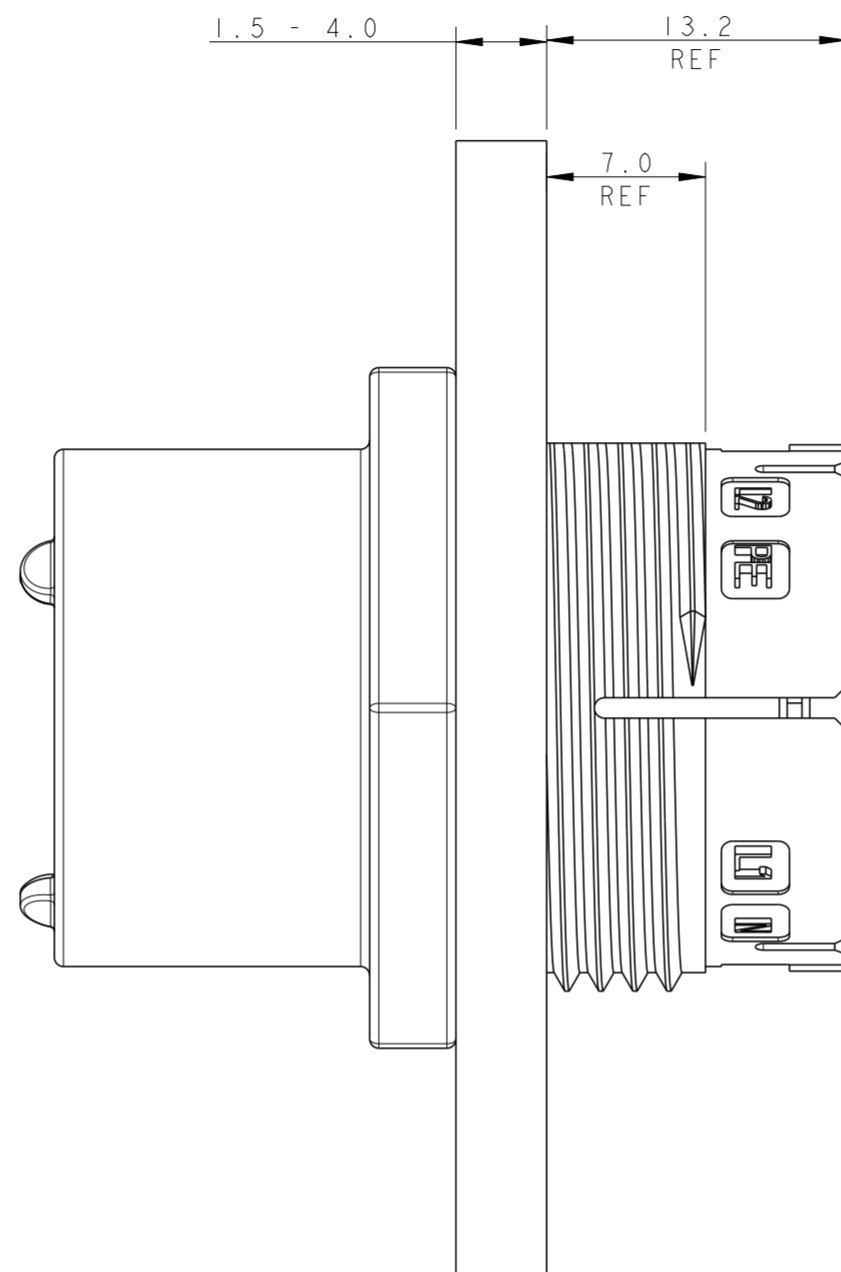
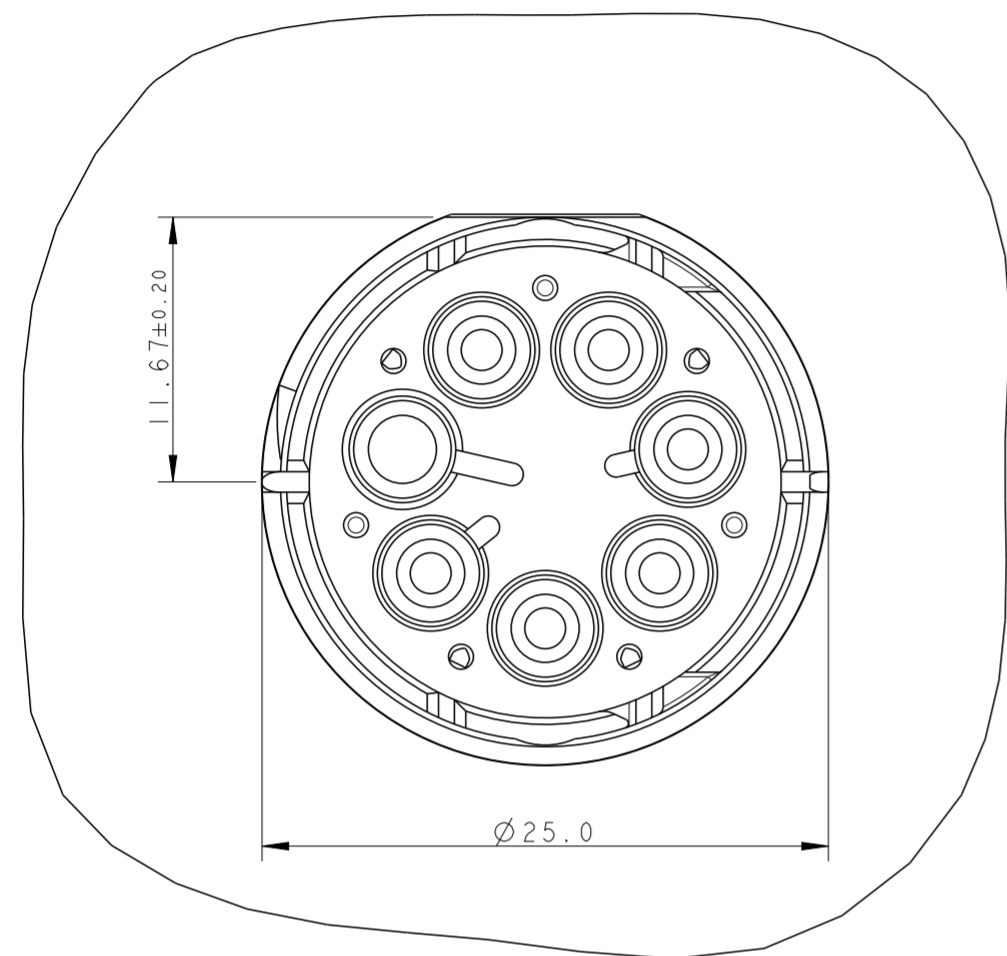
KEY	POL. KEYING	COLOUR	DESCRIPTION	REV.	P/N
	E	BLACK	SOCKET HSG 7 POLES PANEL MOUNT NECTOR* M-LINE	A	1-293773-5
	D	BLACK	SOCKET HSG 7 POLES PANEL MOUNT NECTOR* M-LINE	A	1-293773-4
	C	BLACK	SOCKET HSG 7 POLES PANEL MOUNT NECTOR* M-LINE	A	1-293773-3
	B	BLACK	SOCKET HSG 7 POLES PANEL MOUNT NECTOR* M-LINE	A	1-293773-2
	A	BLACK	SOCKET HSG 7 POLES PANEL MOUNT NECTOR* M-LINE	A	1-293773-1
	E	NATURAL	SOCKET HSG 7 POLES PANEL MOUNT NECTOR* M-LINE	A	0-293773-5
	D	NATURAL	SOCKET HSG 7 POLES PANEL MOUNT NECTOR* M-LINE	A	0-293773-4
	C	NATURAL	SOCKET HSG 7 POLES PANEL MOUNT NECTOR* M-LINE	A	0-293773-3
	B	NATURAL	SOCKET HSG 7 POLES PANEL MOUNT NECTOR* M-LINE	A	0-293773-2
	A	NATURAL	SOCKET HSG 7 POLES PANEL MOUNT NECTOR* M-LINE	A	0-293773-1

THIS DRAWING IS A CONTROLLED DOCUMENT.		DWN A. BERNARDI 31MAR2011	TE Connectivity	
DIMENSIONS: mm		CHK M. ZUCCA 31MAR2011		
TOLERANCES UNLESS OTHERWISE SPECIFIED:		APVD G. TURCO 31MAR2011	NAME SKT HOUSING 7 POLES PANEL MOUNT NECTOR M-LINE UNSEALED VERSION	
 0 PLC ± 1 PLC ±0.3 2 PLC ±0.20 3 PLC ± 4 PLC ± ANGLES ±3° FINISH		PRODUCT SPEC -	SIZE A200779	DRAWING NO C-293773
MATERIAL		APPLICATION SPEC -	RESTRICTED TO -	SCALE 3:1
NOTE 1		WEIGHT -	SHEET 2	OF 3
Customer Drawing		REV B		

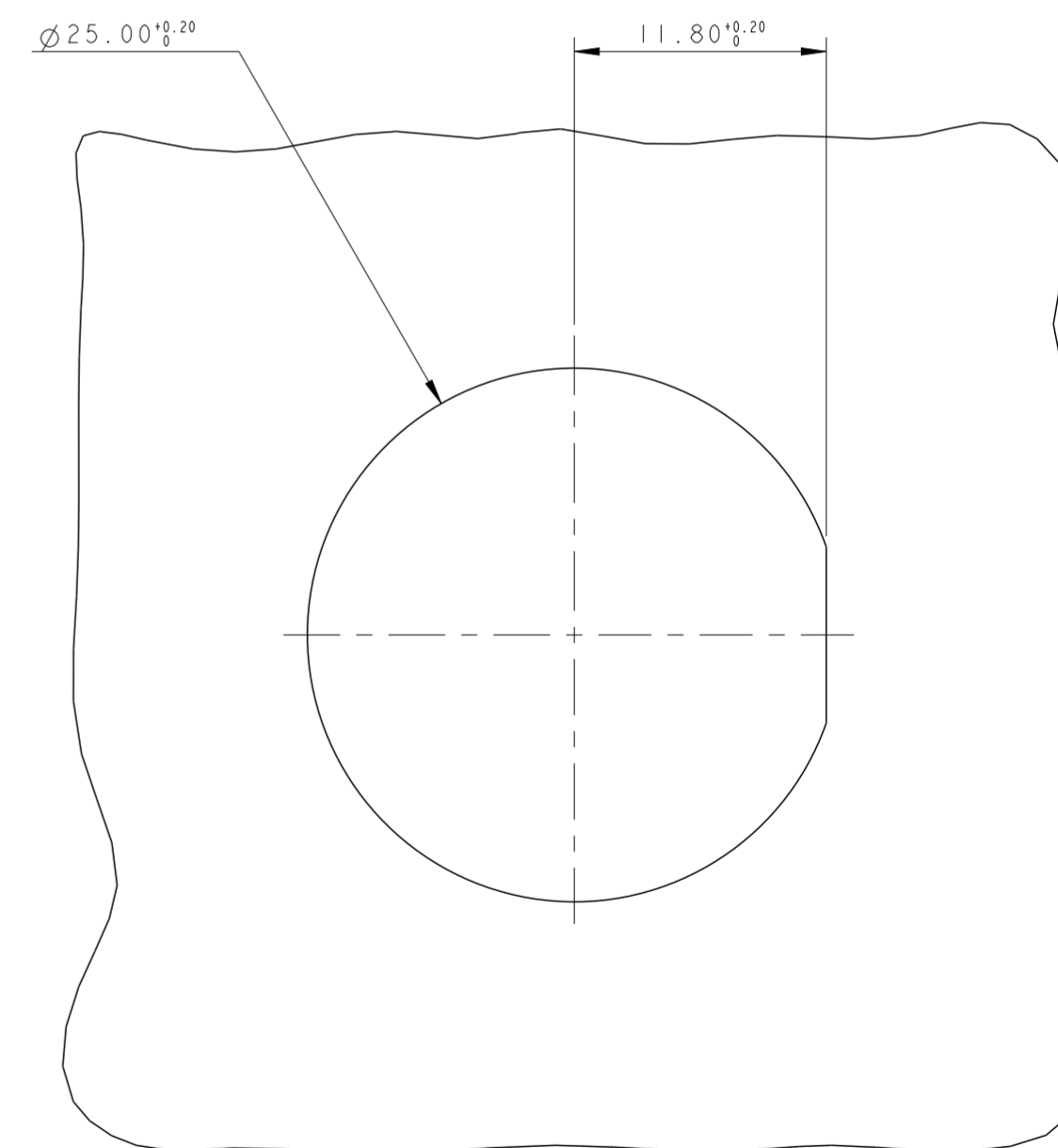
THIS DRAWING IS UNPUBLISHED. RELEASED FOR PUBLICATION 2011
 © COPYRIGHT 2011 BY - ALL RIGHTS RESERVED.

LOC		DIST		REVISIONS			
P	LTR	DESCRIPTION	DATE	DWN	APVD		
-	-	SEE SHEET 1	-	-	-		

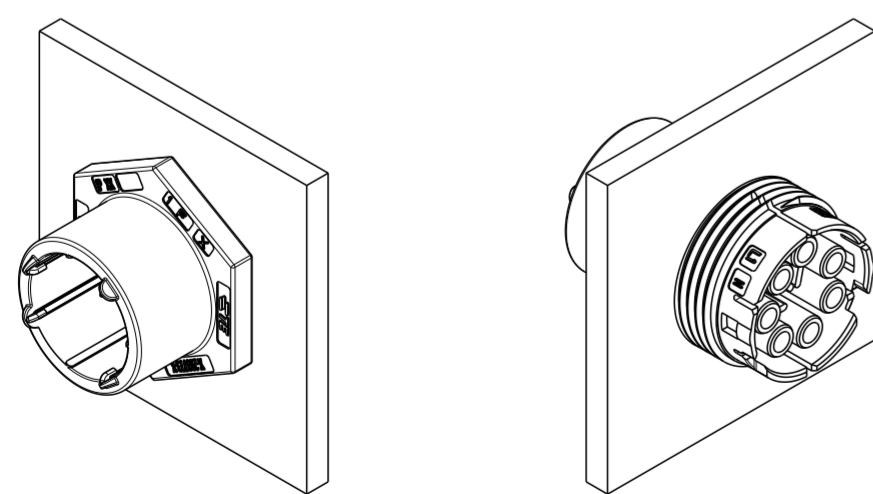
PN 293773-3 AS SHOWN




PANEL/WALL SUGGESTED LAYOUT



3D VIEWS,
FOR REFERENCE ONLY
PN 293773-3 AS SHOWN



THIS DRAWING IS A CONTROLLED DOCUMENT.		DWN A. BERNARDI 31MAR2011	 TE Connectivity	
DIMENSIONS: mm		CHK M. ZUCCA 31MAR2011		
TOLERANCES UNLESS OTHERWISE SPECIFIED:		APVD G. TURCO 31MAR2011	NAME SKT HOUSING 7 POLES PANEL MOUNT NECTOR M-LINE UNSEALED VERSION	
0 PLC ±-	1 PLC ±0.3	PRODUCT SPEC	SIZE	CAGE CODE
2 PLC ±0.20	3 PLC ±-	APPLICATION SPEC	A200779	C-293773
4 PLC ±-	ANGLES ±3°	WEIGHT	SCALE	SHEET
FINISH	NOTE 1	Customer Drawing	3:1	3 OF 3
			REV	B